

Reservedelsliste

Spare parts list

Ersatzteilliste

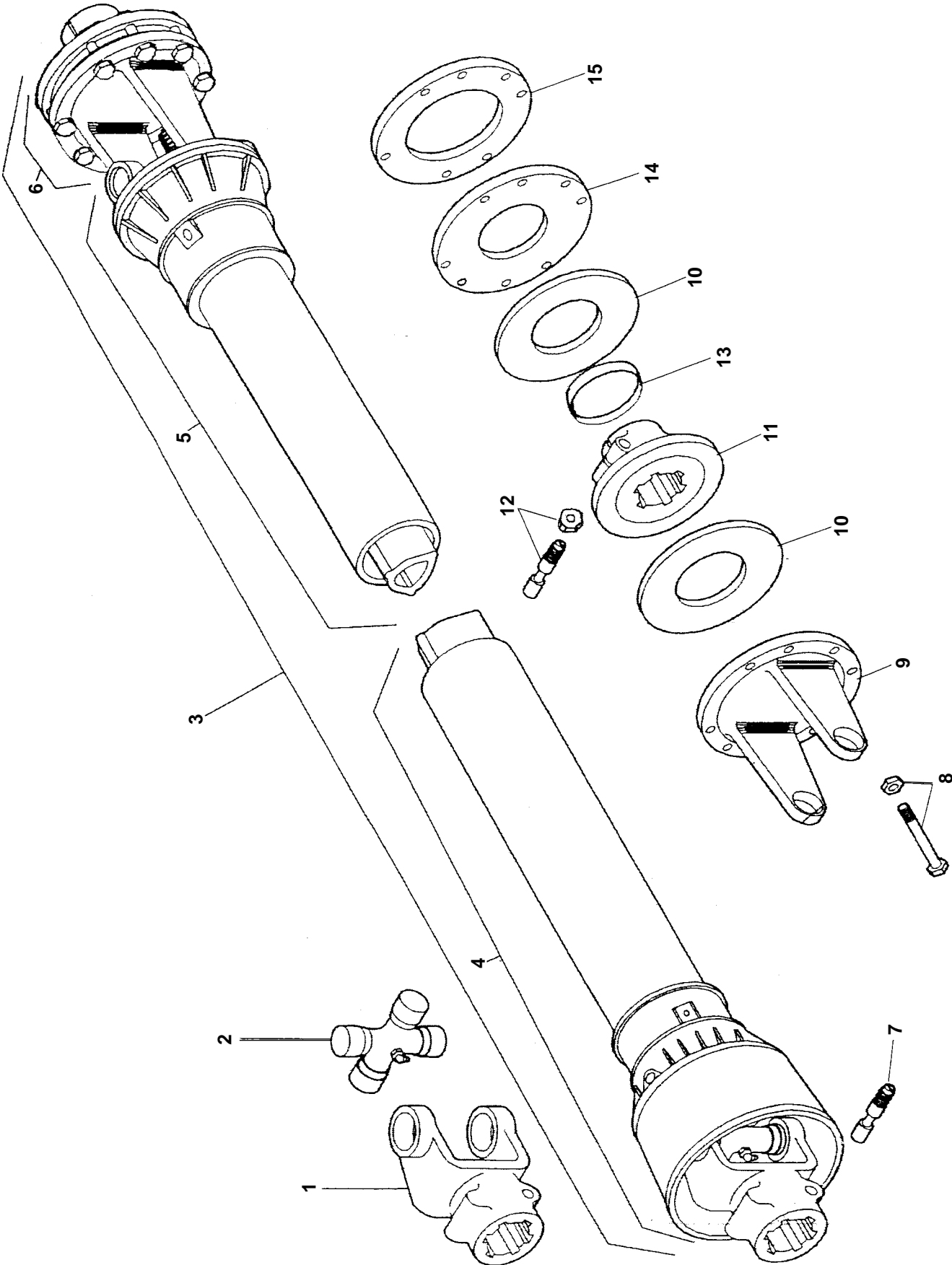
Onderdelenlijst

Liste de pièce de rechange

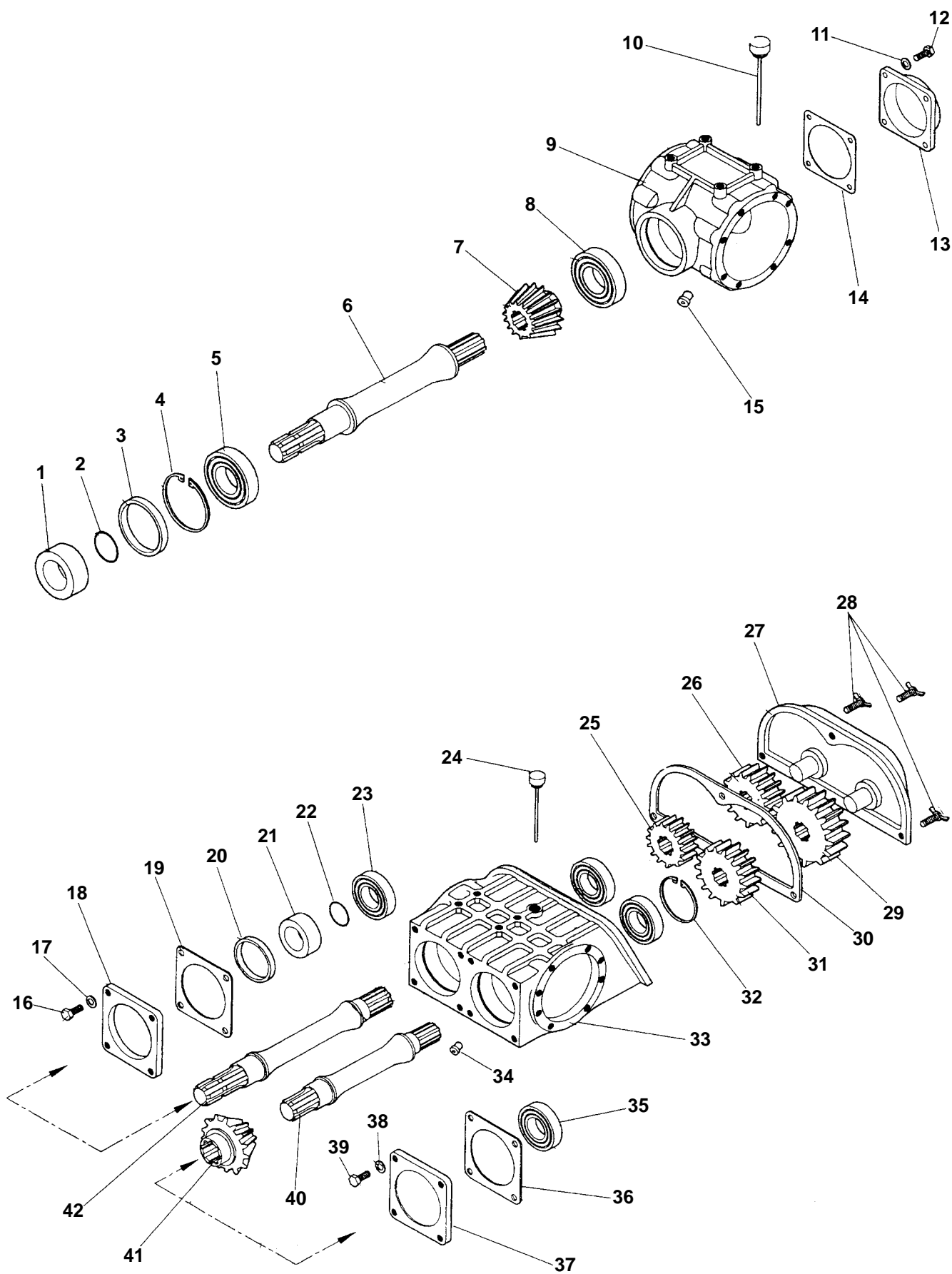
Lista de Piezas

Parti di ricambio

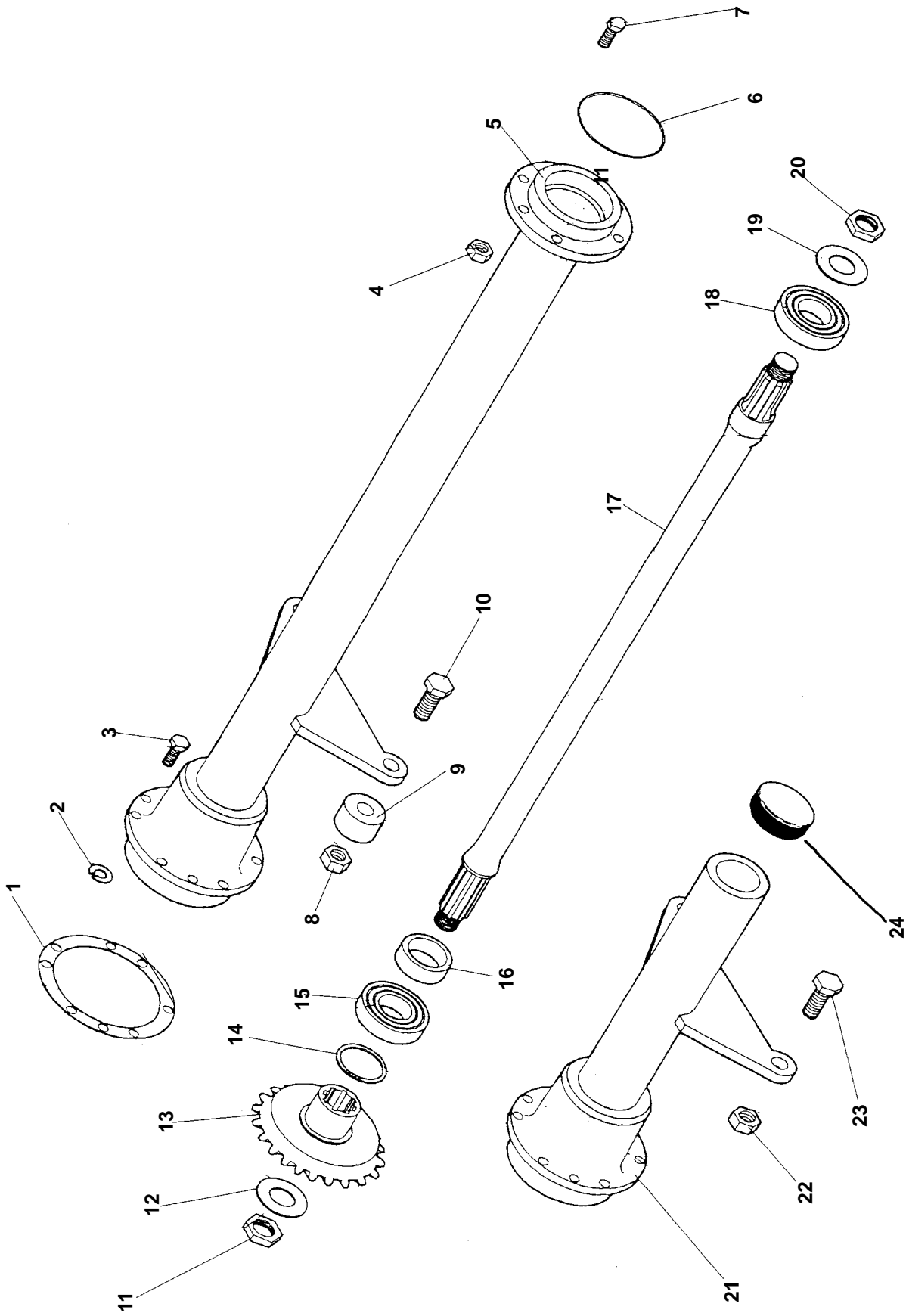
ROTAVATOR 400Z



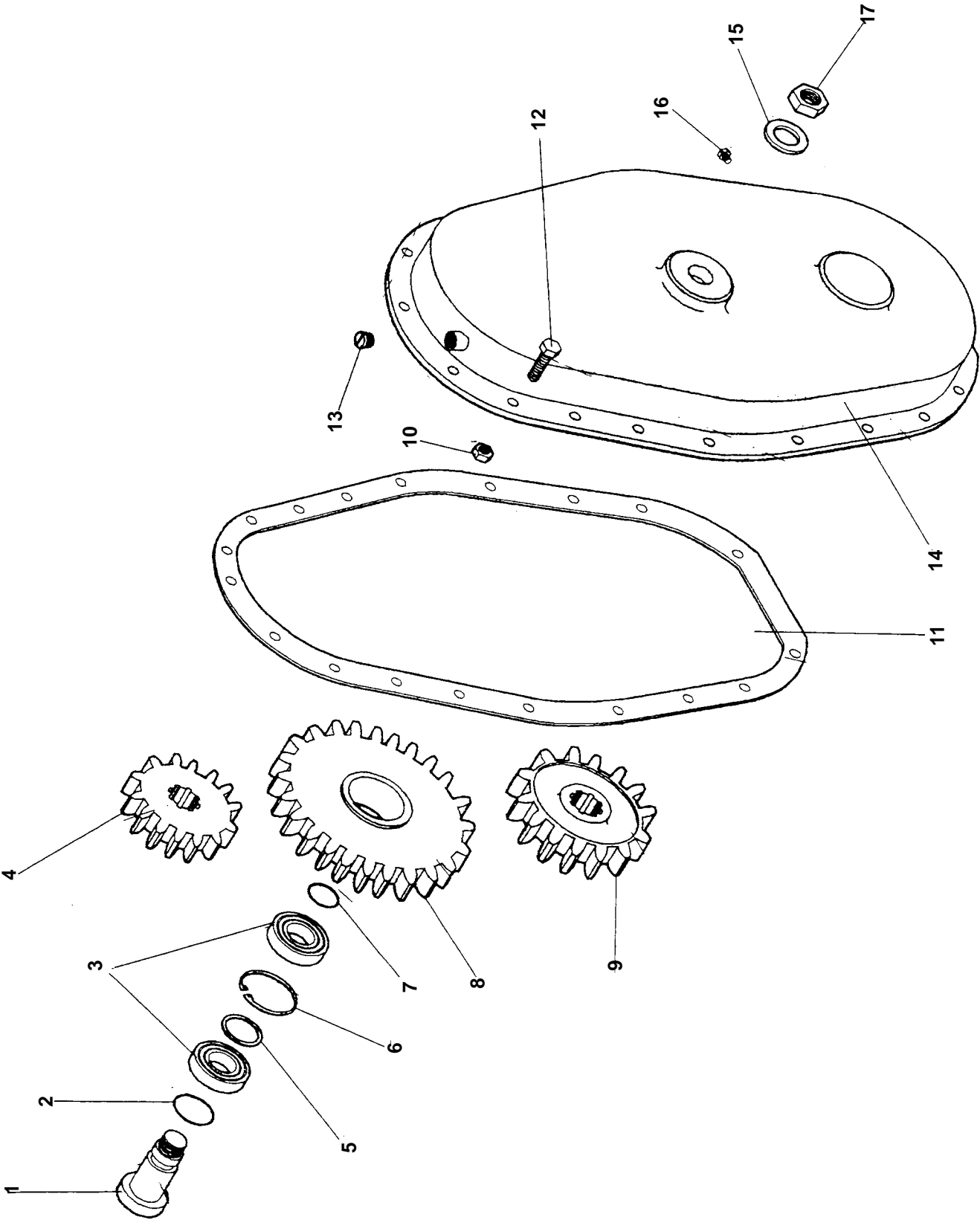
ROTAVATOR 400Z



ROTAVATOR 400Z



ROTAVATOR 400Z



ROTAVATOR 400Z

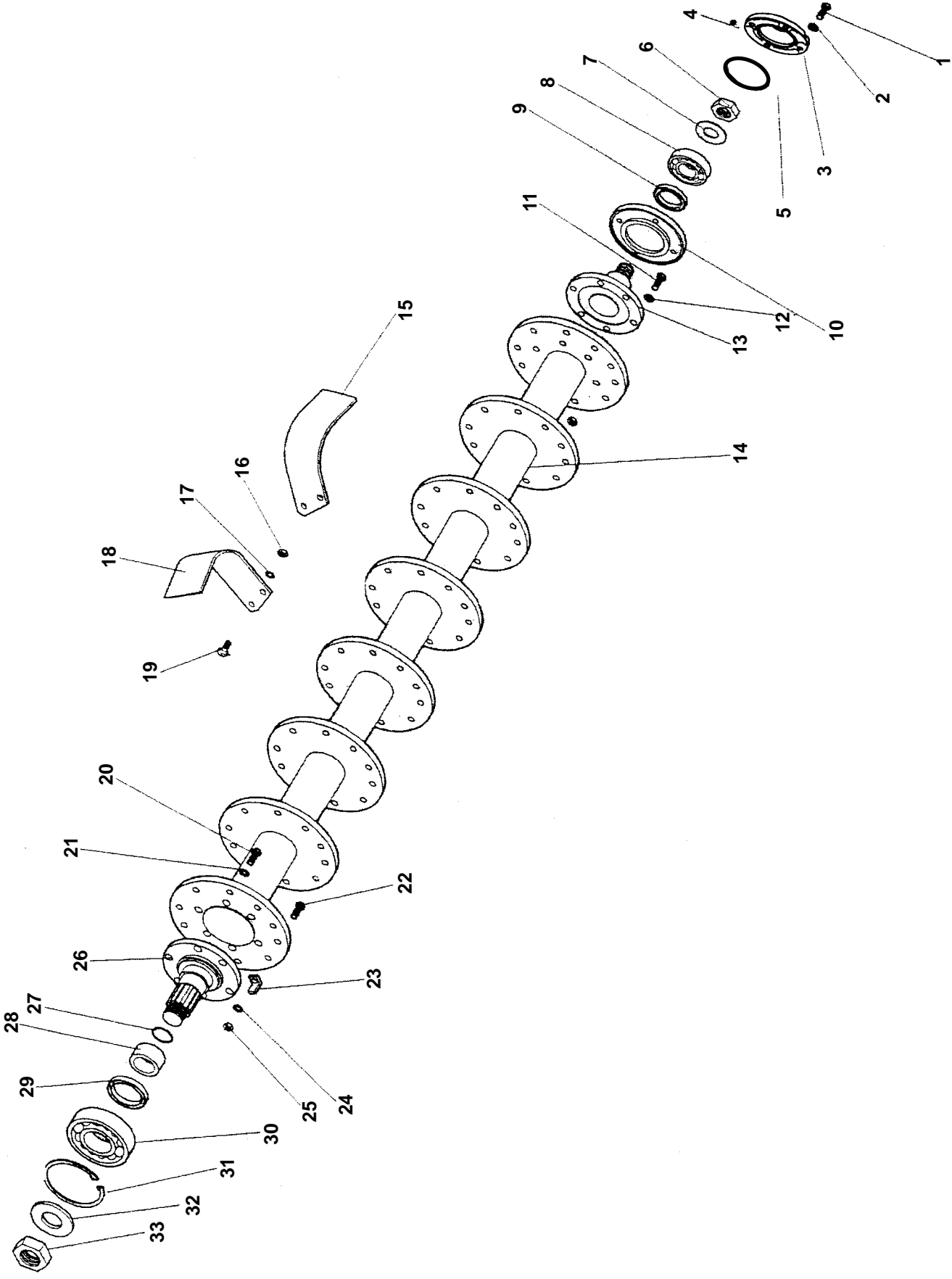
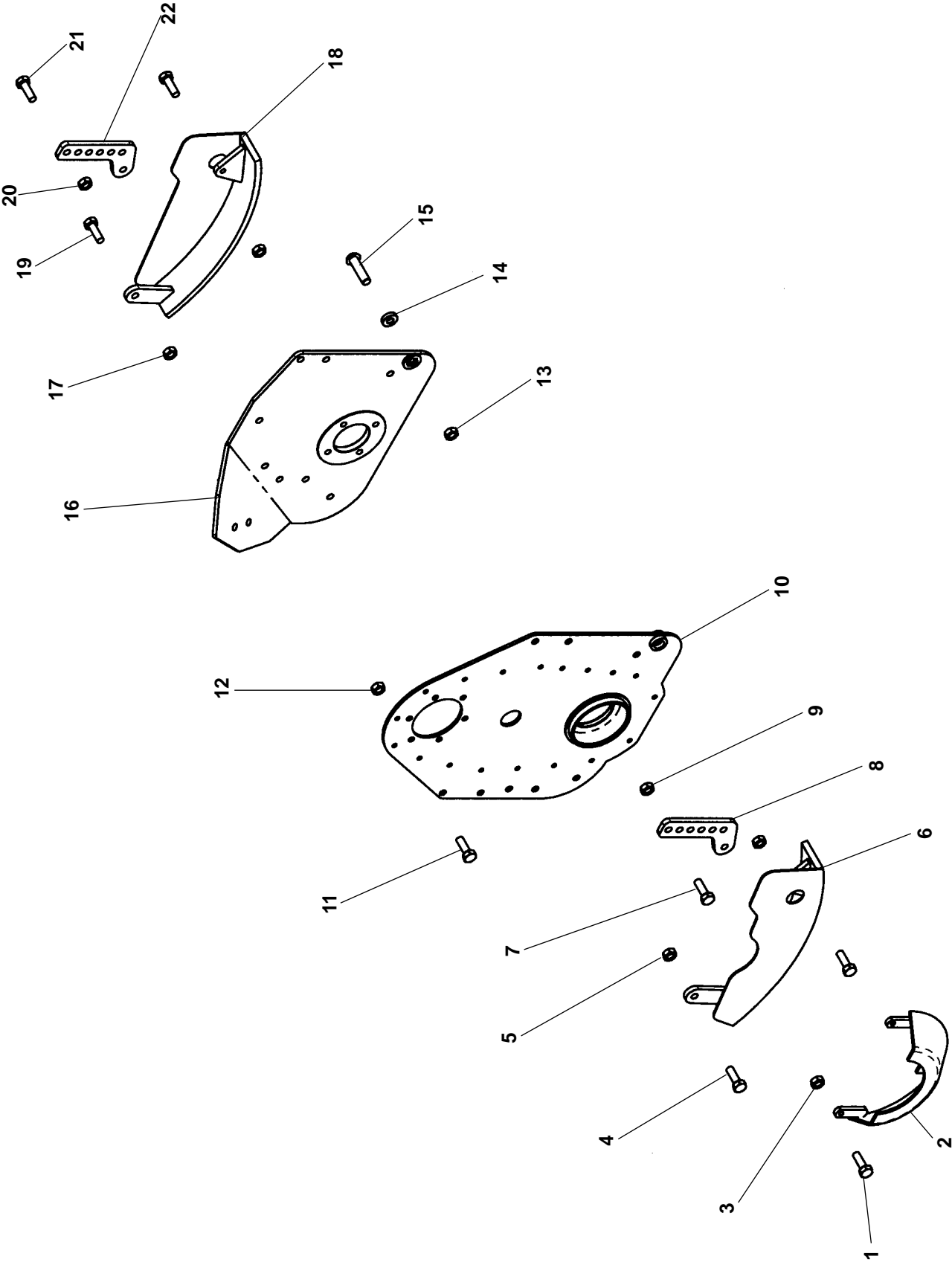


Fig.	Serial nº	Part nº	Pieces	Notes
1		304 210 355	4	Bolt M10 x 35mm
2		108 061 140	4	Grower M10
3		74 9668810 00 R	1	
4		202 030 020	1	Grease nipple 1/8''
5		202 071 190	1	O'ring 73x3 mm.
6		74 000665062	1	
7		308 240 020	1	Belleville
8		253 072 191	1	Bearing
9		266 545 081	1	Seal 65 x 45 x 8mm
10		74 000640953	1	
11		301 212 300	12	Bolt M12 x 30mm
12		108 081 440	12	Spring Washer M12
13		74 000665055 R	1	
14		74 000640956 R	1	130
14		74 000665525 R	1	140
14		74 000640957 R	1	155
14		74 000649824 R	1	165
14		74 000640958 R	1	180
14		74 000649825 R	1	190
14		74 000649140 R	1	205
15		73 000009901 V	#	▶
15		73 000009954 V	#	▶
16		74 000061188	#	
17		108 071 240	#	Spring Washer
18		73 000009900 V	#	◀
18		73 000009953 V	#	◀
19		74 000009852	#	
20		301 214 300	6	Bolt M14 x 30mm
21		308 140 040	6	Spring Washer M14
22		74 000009852	2	
23		74 000649784 V	1	
23		74 000649785 V	2	
24		108 071 240	2	Spring Washer
25		74 000061021	2	
26		74 000640950	1	
27		202 023 410	1	O'ring 44 x 3mm
28		74 000640951	1	
29		269 065 132	1	Seal 90 x 65 x 13mm
30		255 011 271	1	Bearing # 6310
31		208 001 520	1	Circlip
32		203 026 020	1	Spring Washer
33		74 000640114	1	

ROTAVATOR 400Z



ROTAVATOR 400Z

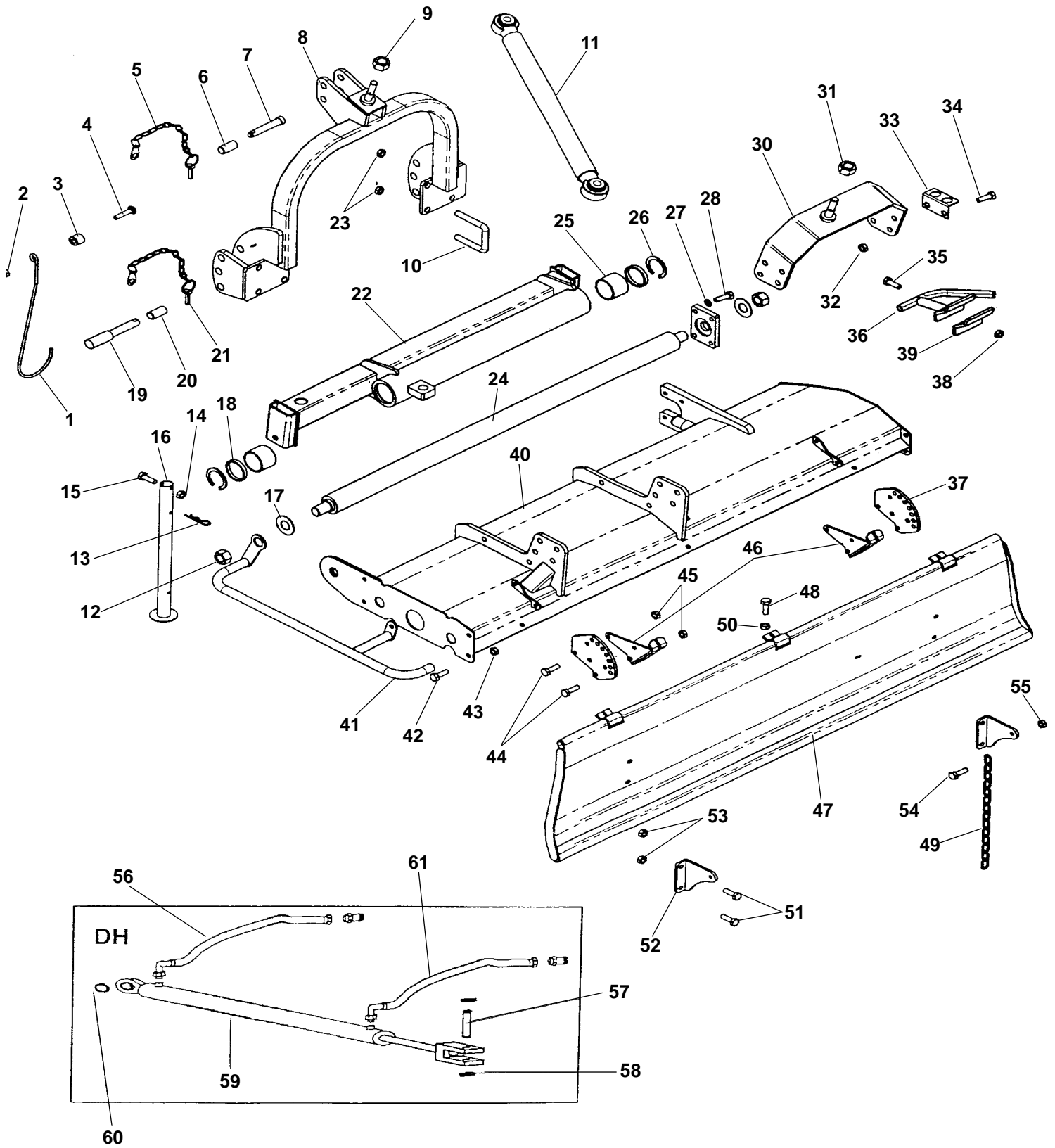


Fig.	Serial nº	Part nº	Pieces	Notes
1		307 212 050	1	Self locking nut M12
2		74 9668750 00	1	
3		74 9668751 00	1	
4		301 212 555	1	Bolt M12 x 55mm
5		74 9668875 00	1	
6		74 000065577	1	
7		74 000065566	1	
8		74 000668037 R	1	
9		307 218 050	1	Self locking nut M18
10		74 000668044	4	U bolt M16
11		74 000668076 V	1	
12		307 130 050	1	Self locking nut M30
13		74 000649654	1	
14		307 206 050	1	Self locking nut M6
15		301 206 150	1	Bolt M6 x 15mm
16		74 9668829 00	1	
17		203 026 020	2	Spring Washer 63 x 31 x 2.5mm
18		74 000668054	2	
19		74 000665063	2	
20		74 000665064	2	
21		74 9668875 00	2	
22		74 9668834 00 R	1	
23		307 216 050	8	Self locking nut M16
24		74 9668812 00	1	
25		74 000668048	2	
26		208 001 307	2	Circlip
27		308 120 045	4	Spring Washer 12
28		301 212 405	4	Bolt M12 x 40mm
29		74 000667071	1	
30		74 000668072 R	1	
31		307 218 050	1	Self locking nut M18
32		307 216 050	8	Self locking nut M16
33		74 9668881 00 R	1	
34		301 116 500	8	Bolt M16 x 1.5 x 50mm
35		301 210 350	2	Bolt M10 x 35mm
36		74 9668820 00	1	
37		74 9668450 00 R	2	
38		307 210 050	3	Self locking nut10
39		74 9668821 00	1	
40		74 9668800 00 R	1	155
40		74 9668800 13 R	1	130
40		74 9668800 14 R	1	140
40		74 9668800 16 R	1	165
40		74 9668800 18 R	1	180
40		74 9668800 19 R	1	190
40		74 9668800 20 R	1	205
41		74 9668819 00	1	
42		301 212 350	1	Bolt M12 x 35
43		307 212 050	1	Self locking nut M12
44		301 210 250	4	Bolt M10 x 25mm
45		307 210 050	4	Self locking nut M10
46		74 9668490 00 R	2	
47		74 9668441 13 R	1	130
47		74 9668441 14 R	1	140
47		74 9668441 15 R	1	155
47		74 9668441 16 R	1	165
47		74 9668441 18 R	1	180
47		74 9668441 19 R	1	190
47		74 9668441 20 R	1	205
48		301 210 300	3	Bolt M10 x 30mm
49		599 990 100	2	
50		307 210 050	3	Self locking nut M10
51		301 212 250	4	Bolt M12 x 25mm
52		74 9668497 00 R	2	
53		307 212 050	4	Self locking nut M12
54		301 210 300	2	Bolt M10 x 30mm
55		307 210 050	2	Self locking nut M10
56		74 000668111	1	
57		74 000668131	1	
58		208 002 075	2	Circlip
59		74 000668075	1	
60		208 002 080	1	Circlip
61		74 9668878 00	1	

ROTAVATOR 400Z

