

Reservedeliste

Spare parts list

Ersatzteilliste

Onderdelenlijst

Liste de pièce de rechange

Lista de Piezas

Parti di ricambio

ROTAVATOR 400

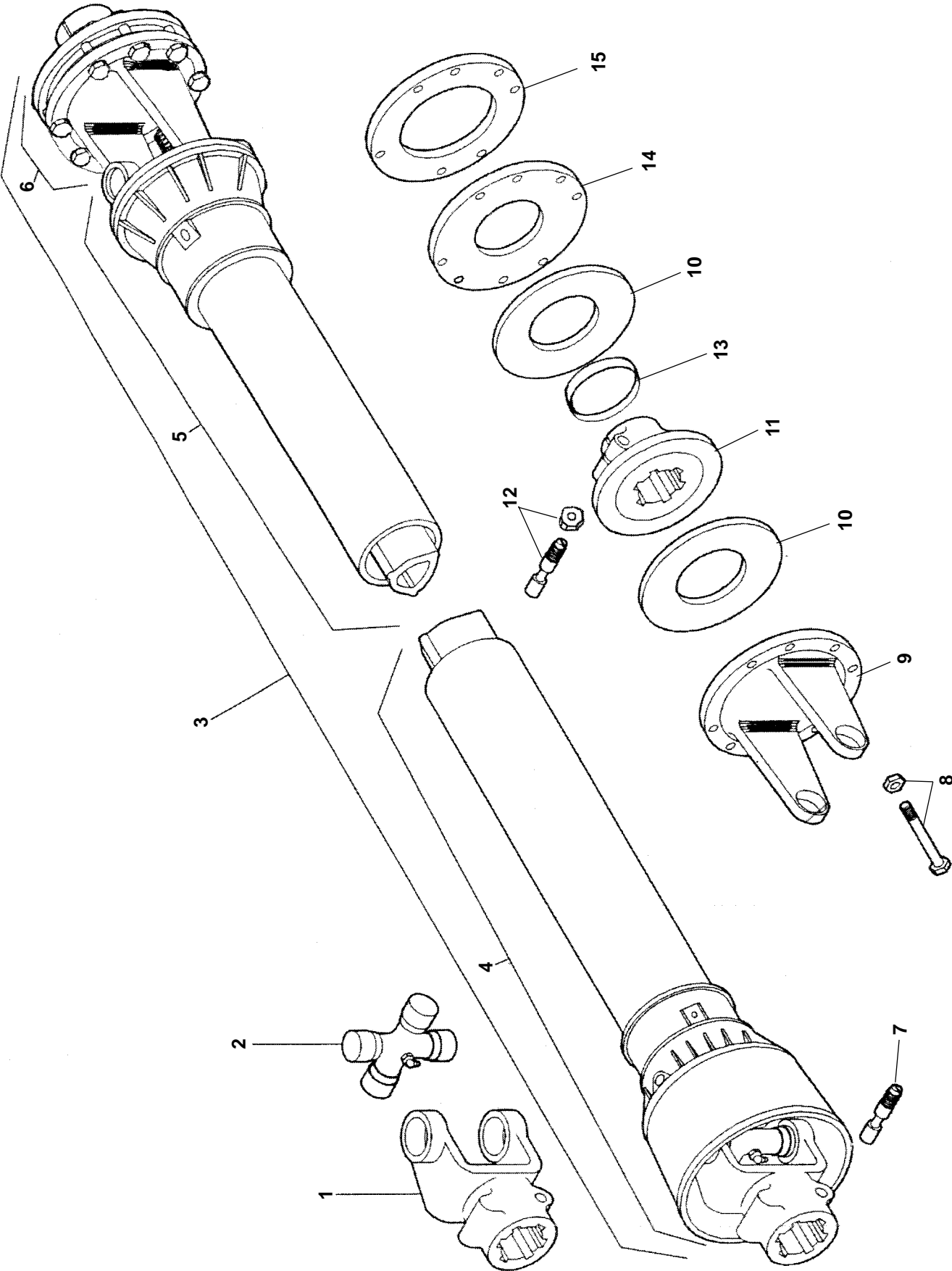


Fig.	Serial nº	Part nº	Pieces	Notes
1		74 000649360	1	080 - 155
1		74 000649333	1	165 - 205
2		74 000649356	1	080 - 155
2		74 000649334	1	165 - 205
3		74 000665008	1	080 - 155
3		74 000665000	1	165 - 205
4		74 000649359	1	080 - 155
4		74 000649331	1	165 - 205
5		74 000649358	1	080 - 155
5		74 000649332	1	165 - 205
6		74 966884000	1	080 - 155
6		74 966884100	1	165 - 205
7		74 966884200	1	
8		74 966884300	8	
9		74 966884400	1	080 - 155
9		74 966884500	1	165 - 205
10		74 966884600	1	
11		74 966884700	1	
12		74 966884800	1	
13		74 966884900	1	
14		74 966885000	1	
15		74 966885100	1	

ROTAVATOR 400

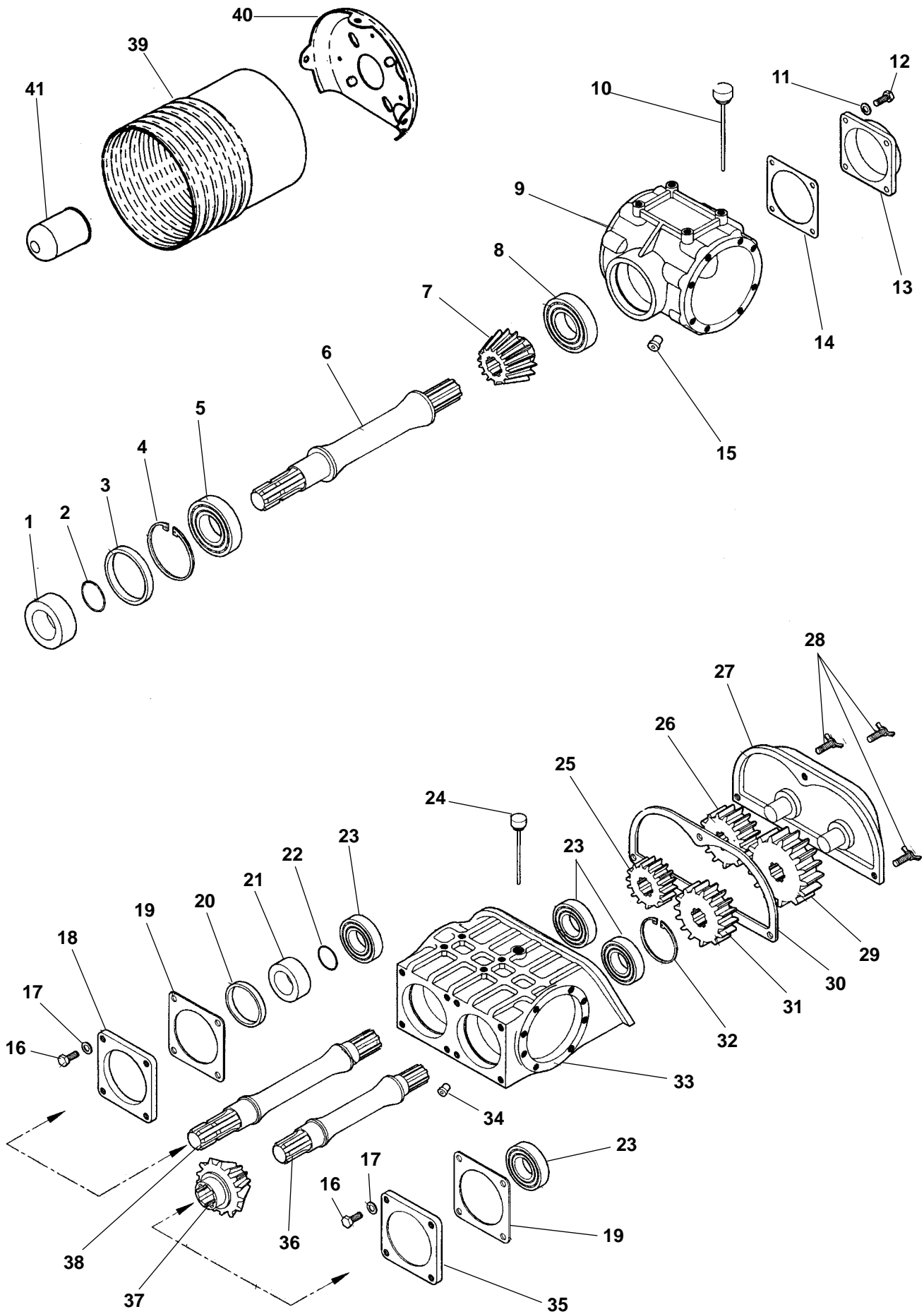


Fig.	Serial nº	Part nº	Pieces	Notes
1		74 000640622	1	O'ring 40 x 48 x 4 mm. Seal 80 x 60 x10 mm. Circlip I - 80 Bearing #30208
2		202 070 530	1	
3		268 060 102	1	
4		208 001 320	1	
5		254 080 201	1	
6		74 000640626	1	Bearing #30208
7		74 000640118	1	
8		254 080 201	1	
9		74 000640971 R	1	
10		74 000649854	1	
11		108 061 140	4	Spring washer M10 Bolt M10 x 25 mm. 0,5 mm. 0,25 mm.
12		301 210 250	4	
13		74 000328069	1	
14		74 000328071	#	
14		74 000328072	#	
15		203 031 232	1	Plug 1/4" Bolt M10 x 25 mm. Spring washer M10 0,1 mm.
16		301 210 250	8	
17		108 061 140	8	
18		71 000640968 R	1	
19		74 000640949	#	
19		74 000640970	#	0,5 mm. 0,25 mm. Seal 72 x 50 x 12 mm. O'ring 37 x 32 x 2,5 mm.
19		74 000640973	#	
20		267 250 121	1	
21		74 000640993	1	
22		202 023 920	1	
23		254 080 201	4	Bearing #30208 Z 20 Z 22
24		74 000649854	1	
25		74 000064532	1	
26		74 000064534	1	
27		74 000069337 R	1	
28		301 210 200	3	Bolt M10 x 20 mm. Z 24 Z 26 Circlip I - 80
29		74 000064536	1	
30		74 000064706	1	
31		74 000064538	1	
32		208 001 320	1	
33		74 000640965 R	1	Plug 1/4"
34		203 031 230	1	
35		74 000640969 R	1	
36		74 000640967	1	
37		74 000640118	1	
38		74 000640972	1	
39		74 9668291 00	1	
40		74 9668293 00	1	
41		202 040 590	1	

ROTAVATOR 400

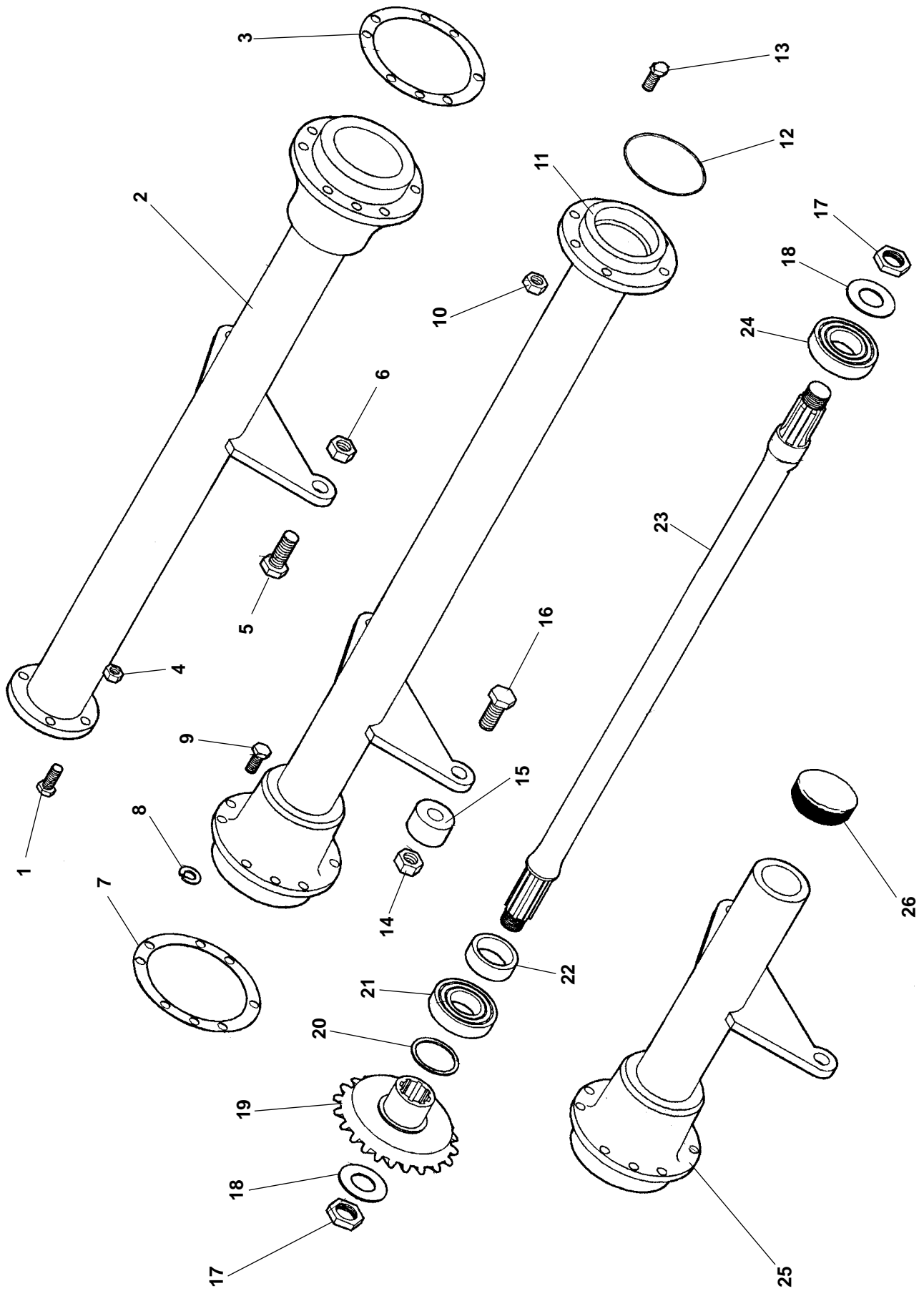


Fig.	Serial nº	Part nº	Pieces	Notes
1		301 210 250	4	Bolt M10 x 25 mm.
2		74 9668461 15 R	1	150
2		74 9668461 16 R	1	160
2		74 9668461 18 R	1	180
2		74 9668461 19 R	1	190
2		74 9668461 20 R	1	205
3		74 0000061021	1	
4		307 210 050	4	Self locking nut M10
5		301 212 450	2	Setscrew M12 x 45 mm.
6		307 212 050	2	Self locking nut M12
7		74 000061021	1	
8		108 061 140	8	Spring washer M10
9		301 210 250	8	Bolt M10 x 25 mm.
10		307 210 050	6	Self locking nut M10
11		74 9668462 08 R	1	80 M
11		74 9668462 09 R	1	90 M
11		74 9668462 10 R	1	100 M
11		74 9668462 11 R	1	115 M
11		74 9668462 13 R	1	130 M
11		74 9668462 14 R	1	140 M
11		74 9668462 15 R	1	150 M
11		74 9668462 16 R	1	160 M
11		74 9668462 18 R	1	180 M
11		74 9668462 19 R	1	190 M
11		74 9668462 20 R	1	205 M
11		74 9668463 13 R	1	130 S
11		74 9668463 14 R	1	140 S
11		74 9668463 15 R	1	150 S
11		74 9668463 16 R	1	160 S
11		74 9668463 18 R	1	180 S
11		74 9668463 19 R	1	190 S
11		74 9668463 20 R	1	205 S
12		202 072 550	1	O'ring 97 x 105 x 4 mm.
13		301 210 250	6	Bolt M10 x 25 mm.
14		307 212 050	2	Self locking nut M12
15		74 000665892 R	2	
16		301 212 600	2	Bolt M12 x 60 mm.
17		74 000640114	2	Special nut
18		203 026 020	2	Belleville
19		74 000640117	1	
20		267 055 081	1	Seal 70 x 55 x 8 mm.
21		255 510 231	1	Bearing #30211
22		74 000640115	1	
23		74 000665918	1	80 M
23		74 000665919	1	90 M
23		74 000665920	1	100 M
23		74 000665921	1	115 M
23		74 000665922	1	130 M
23		74 000665923	1	140 M
23		74 000665924	1	155 M
23		74 000665925	1	165 M
23		74 000665926	1	180 M
23		74 000665927	1	190 M
23		74 000665928	1	205 M
23		74 000665929	1	130 S
23		74 000665930	1	140 S
23		74 000665931	1	155 S
23		74 000665932	1	165 S
23		74 000665933	1	180 S
23		74 000665934	1	190 S
23		74 000665935	1	205 S
24		254 090 251	1	Bearing #30308
25		74 9668596 00 R		130 - 205
25		74 9668596 01 R		80 - 115
26		74 9668783 00		

ROTAVATOR 400

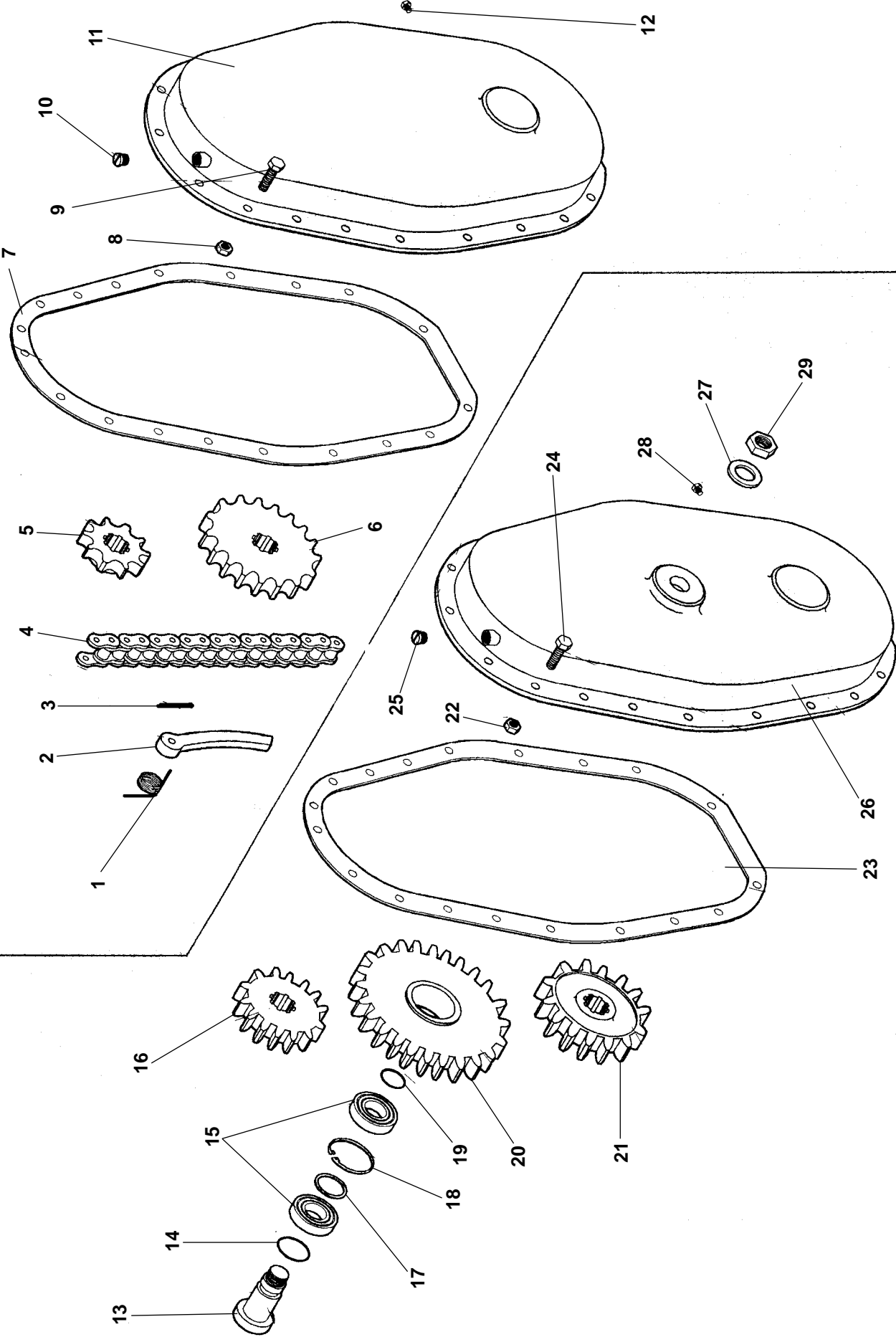


Fig.	Serial nº	Part nº	Pieces	Notes
1		74 000665813	1	Pin
2		74 000665163	2	
3		208 012 430	1	
4		74000665794	1	
5		74 000665793	1	
6		74 000665792	1	Self locking nut M8 Bolt M8 x 20 mm. Plug 1/2"
7		74 000665171	1	
8		307 208 050	18	
9		301 208 200	18	
10		203 031 190	1	
11		74 000665170 R	1	Plug 1/8"
12		203 031 160	1	
13		74 000640954	1	
14		202 070 530	1	O'ring 40 x 48 x 4 mm.
15		254 080 201	2	Bearing #30208
16		74 000640623	1	Circlip I - 80 O'ring 24 x 32 x 4 mm.
17		74 000640955	1	
18		208 001 320	1	
19		202 074 710	1	
20		74 000069724	1	
21		74 000061081	1	Self locking nut M8
22		307 208 050	18	
23		74 000665171	1	
24		301 208 200	18	Bolt M8 x 20 mm. Plug 1/2"
25		203 031 190	1	
26		74 000665815 R	1	Belleville Plug 1/8"
27		203 026 020	1	
28		203 031 160	1	
29		74 000640114	1	

ROTAVATOR 400

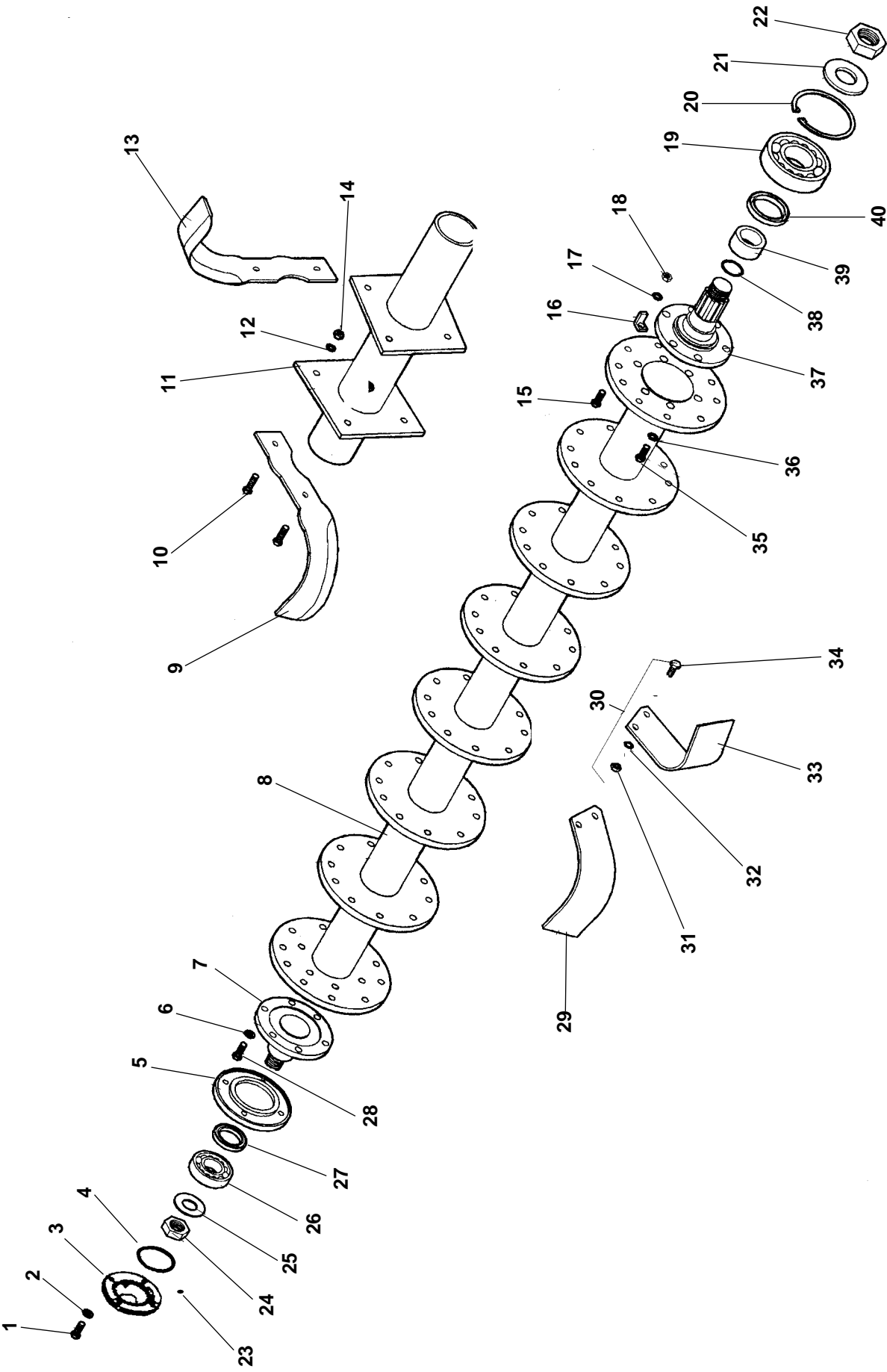


Fig.	Serial nº	Part nº	Pieces	Notes
1		301 210 350	4	Bolt M10 x 35 mm.
2		108 061 140	4	Spring washer M10
3		74 9668810 00 R	1	
4		202 071 190	1	O'ring 76 x 3 mm.
5		74 000640953	1	
6		108 081 440	6	Spring washer M12
7		74 000665055	1	
8		74 000666050 R	1	80 closed
8		74 000666051 R	1	90 closed
8		74 000666052 R	1	100 closed
8		74 000666053 R	1	115 closed
8		74 000640956 R	1	130 closed
8		74 000665525 R	1	140 closed
8		74 000640957 R	1	155 closed
8		74 000649824 R	1	165 closed
8		74 000640958 R	1	180 closed
8		74 000649825 R	1	190 closed
8		74 000649140 R	1	205 closed
8		74 000667938 R	1	90 open
8		74 000667846 R	1	100 open
8		74 000667847 R	1	115 open
8		74 000667848 R	1	130 open
8		74 000667833 R	1	140 open
8		74 000667909 R	1	155 open
8		74 000667910 R	1	165 open
8		74 000667911 R	1	180 open
8		74 000667912 R	1	190 open
8		74 000667913 R	1	205 open
9		73 000009942 V	#	▶
10		101 107 140	#	Bolt 7/16" UNF
11		74 000667404 R	1	180
11		74 000667405 R	1	205
12		108 071 240	#	Spring washer 7/16"
13		73 000009941 V	#	◀
14		74 000061188	#	Nut 7/16"
15		74 000009852	2	
16		74 000649784 V	1	▶
16		74 000649785 V	1	◀
17		108 071 240	2	Spring washer
18		74 000061021	2	
19		255 011 271	1	Bearing #6310
20		208 001 520	1	Circlip I - 110
21		203 026 020	1	Belleville
22		74 000640114	1	
23		202 030 020	1	Grease nipple 1/8"
24		74 000665062	1	
25		308 240 020	1	Belleville
26		253 072 191	1	Bearing #6306
27		266 545 081	1	Seal 65 x 45 x 8 mm.
28		301 212 300	6	Bolt M12 x 30 mm.
29		73 000009901 V	#	
30		74 000069667	#	
31		74 000061188	#	
32		108 071 240	#	Spring washer
33		73 000009900 V	#	
34		74 000009852	#	
35		301 214 300	6	Bolt M14 x 30 mm.
36		308 140 040	6	Spring washer M14
37		74 000640950	1	
38		202 023 410	1	O'ring 44 x 50 x 3 mm.
39		74 000640951	1	
40		269 065 132	1	Seal 90 x 65 x 13 mm.

ROTAVATOR 400

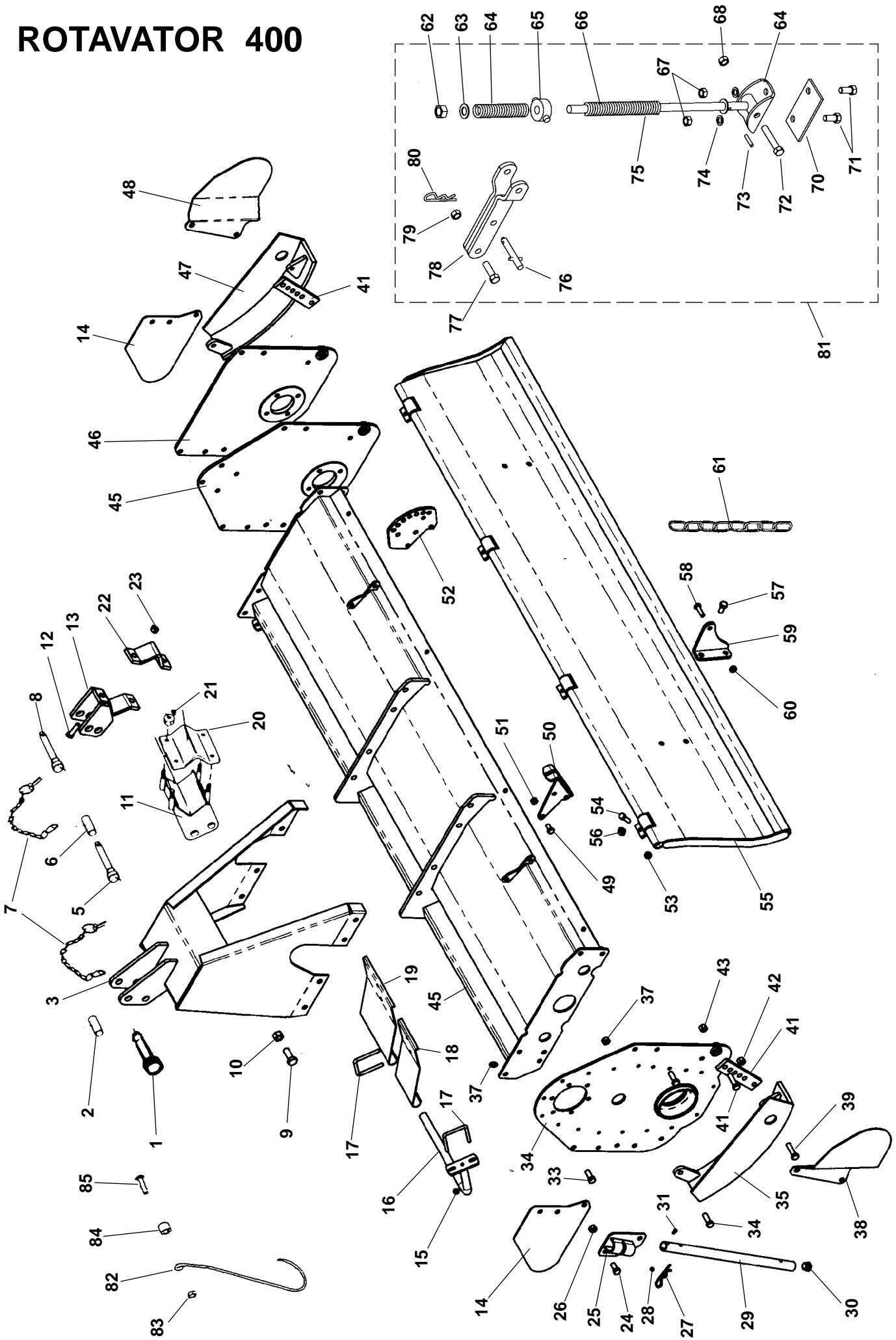
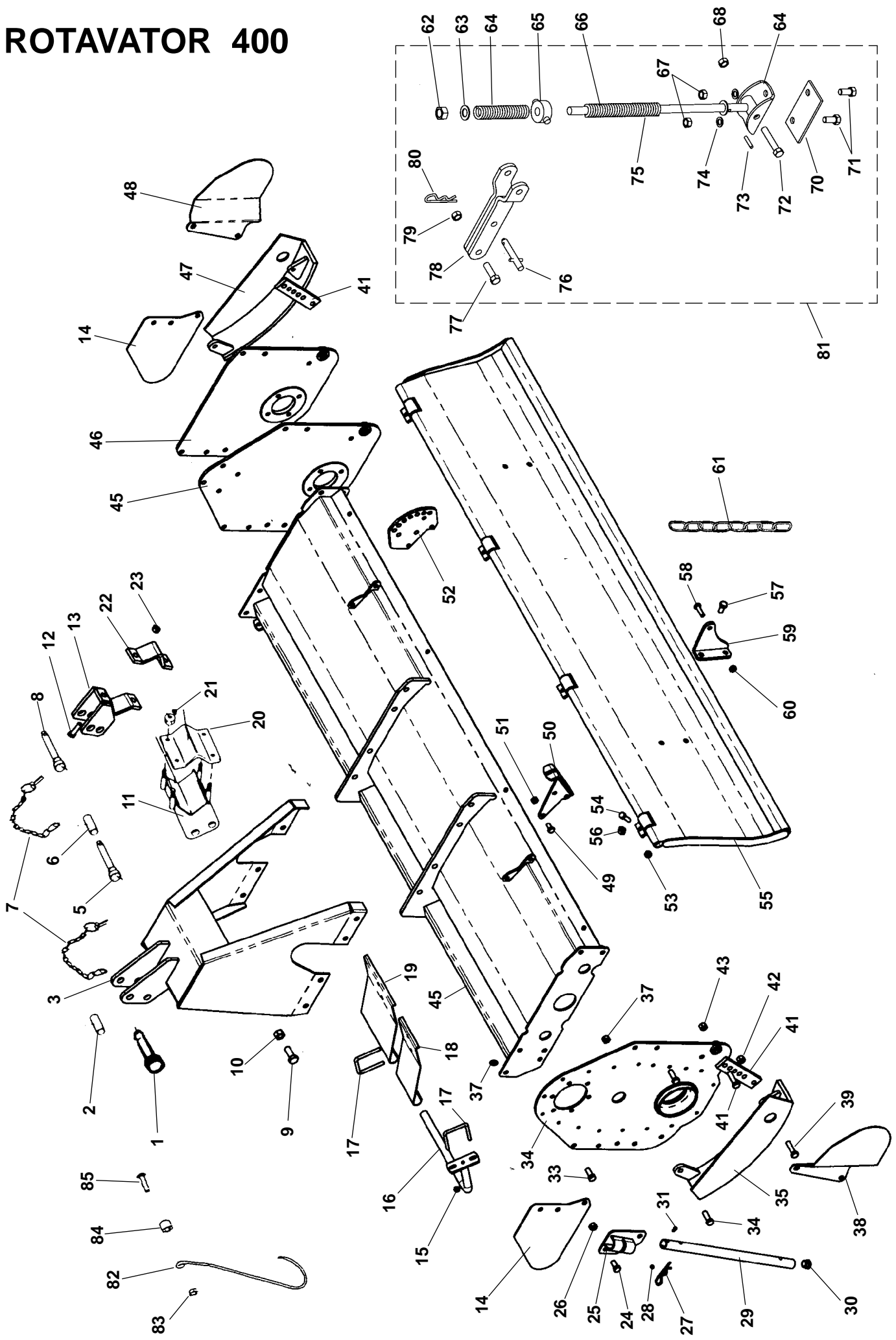


Fig.	Serial nº	Part nº	Pieces	Notes
1		74 000065566	1	
2		74 000065577	1	
3		74 9668455 00 R	1	
4		74 000060495	1	
5		71 000650273	2	
6		71 000650298	2	
7		74 9668875 00	2	
8		71 000624176	2	
9		301 412 355	8	Bolt M12 x 35 mm.
10		307 212 050	8	Self locking nut M12
11		71 000651673 R	2	
12		301 214 505	4	Bolt M14 x 50 mm.
13		71 000182016 R	2	
14		74 9668466 00 R	2	
15		307 208 050	#	Nylock nut M8
16		71 000106383	2	080 - 130
16		71 000106388	2	140 - 180
16		74 9668469 00	2	190 - 205
17		71 000105501	#	
18		74 9668467 12	#	
19		74 9668467 20	#	
20		71 000651175 R	2	
21		307 214 050	8	Self locking nut M14
22		71 000628210 R	2	
23		307 214 050	4	Self locking nut M14
24		301 212 255	2	Bolt M12 x 25 mm.
25		74 9668492 00 R	1	
26		307 212 050	2	Nylock nut M12
27		74 000649654	1	Pin
28		307 206 050	1	Self locking nut M6
29		74 9668473 02	1	
30		208 044 480	1	Plastic Plug
31		301 206 150	1	Bolt M6 x 15 mm.
32		301 212 305	4	Bolt M12 x 30 mm.
33		74 9668434 00 R	1	S
33		74 9668457 00 R	1	B
34		301 212 355	2	Bolt M12 x 35 mm.
35		74 000667843 R	1	
36		307 212 050	4	Self locking nut M12
37		307 212 050	1	Self locking nut M12
38		74 9668446 00 R	1	
39		301 212 355	2	Bolt M12 x 35 mm.
40		301 212 450	1	Bolt M12 x 45 mm.
41		74 966868300	2	
42		307 212 050	1	Self locking nut M12
43		307 212 050	1	Self locking nut M12
44		74 9668437 08 R	1	80
44		74 9668437 09 R	1	90
44		74 9668437 10 R	1	100
44		74 9668437 11 R	1	115
44		74 9668437 13 R	1	130
44		74 9668437 14 R	1	140
44		74 9668437 15 R	1	155
44		74 9668437 16 R	1	165
44		74 9668437 18 R	1	180
44		74 9668437 19 R	1	190
44		74 9668437 20 R	1	205
45		74 9668430 00 R	1	
46		74 9668430 01 R	1	
47		74 000667842 R	1	
48		74 9668447 00 R	1	
49		301 210 250	#	Bolt M10 x 25 mm.
50		74 9668496 00 R	#	
51		307 210 050	#	Self locking nut M10
52		74 9668450 00 R	#	
53		307 210 050	#	Self locking nut M10
54		301 210 300	#	Bolt M10 x 30 mm.
55		74 9668441 08 R	1	80
55		74 9668441 09 R	1	90
55		74 9668441 10 R	1	100
55		74 9668441 11 R	1	115
55		74 9668441 13 R	1	130
55		74 9668441 14 R	1	140
55		74 9668441 15 R	1	155
55		74 9668441 16 R	1	165

ROTAVATOR 400



ROTAVATOR 400

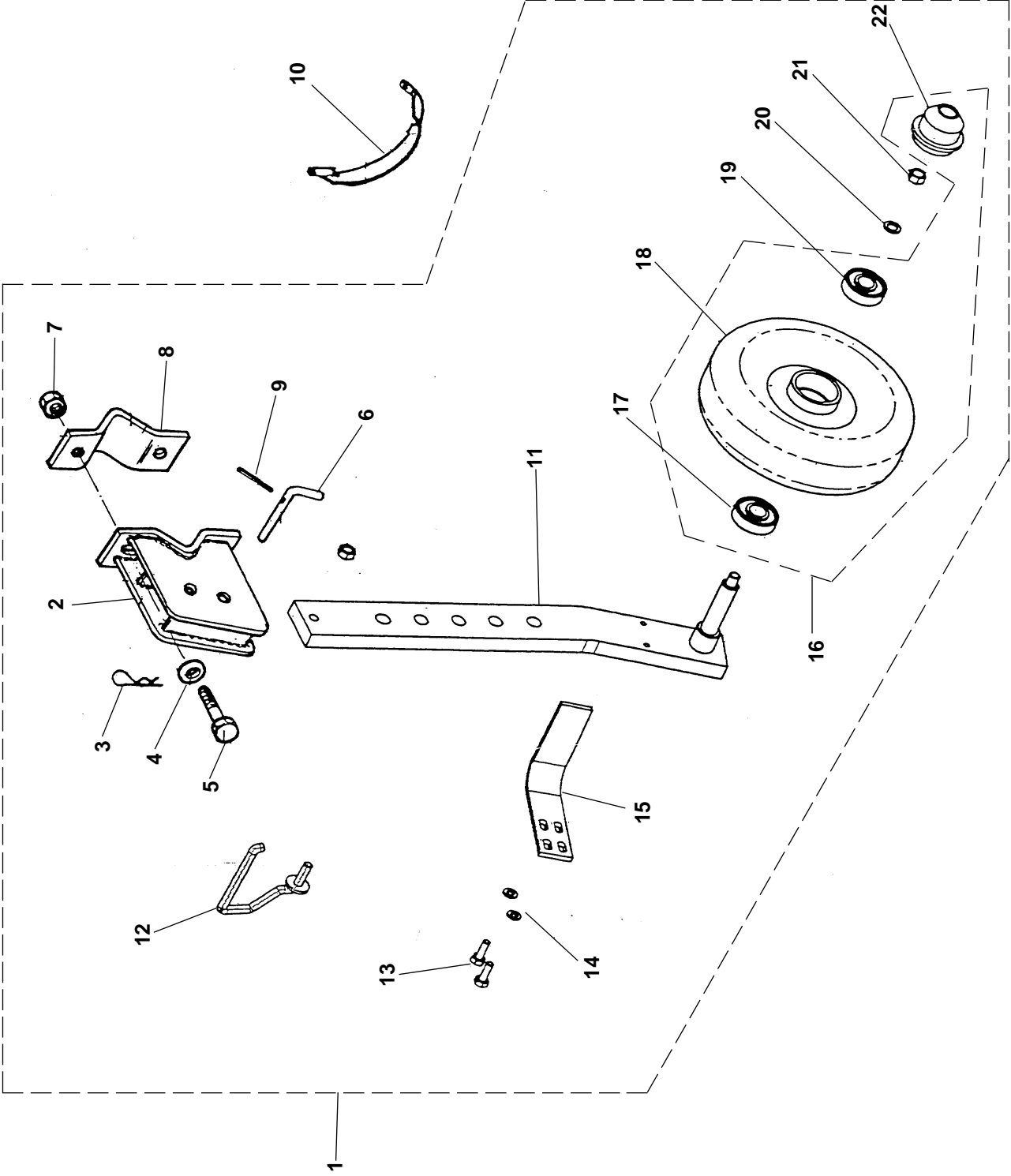


Fig.	Serial n°	Part n°	Pieces	Notes
1		74 9669277 00	1	Complet kit
2		71 000633546 V	2	
3		208 014 450	2	Pin
4		308 120 025	4	Flat washer M12
5		301 212 555	4	Bolt M12 x 55 mm.
6		71 000629977	2	Pin
7		307 212 050	4	Nylock nut M12
8		71 000633547 V	2	
9		208 012 475	2	Pin
10		74 000667813 V	1	
11		74 966861300 V	1	◀
11		74 966861500 V	1	▶
12		74 966887700 V	2	
13		301 208 400	4	Bolt M8 x 40 mm
14		308 080 020	4	Flat washer M8
15		71 000653647 V	2	
16		74 000666960	2	Wheel assy
17		71 252055155	2	Bearing #6304
18		74 209086450	2	Wheel Ø 250 mm
19		71 252055155	2	Bearing #6304
20		308 120 025	2	Spring washer M12
21		307 212 050	2	Self locking nut M12
22		74 209080440	2	Cap

ROTAVATOR 400

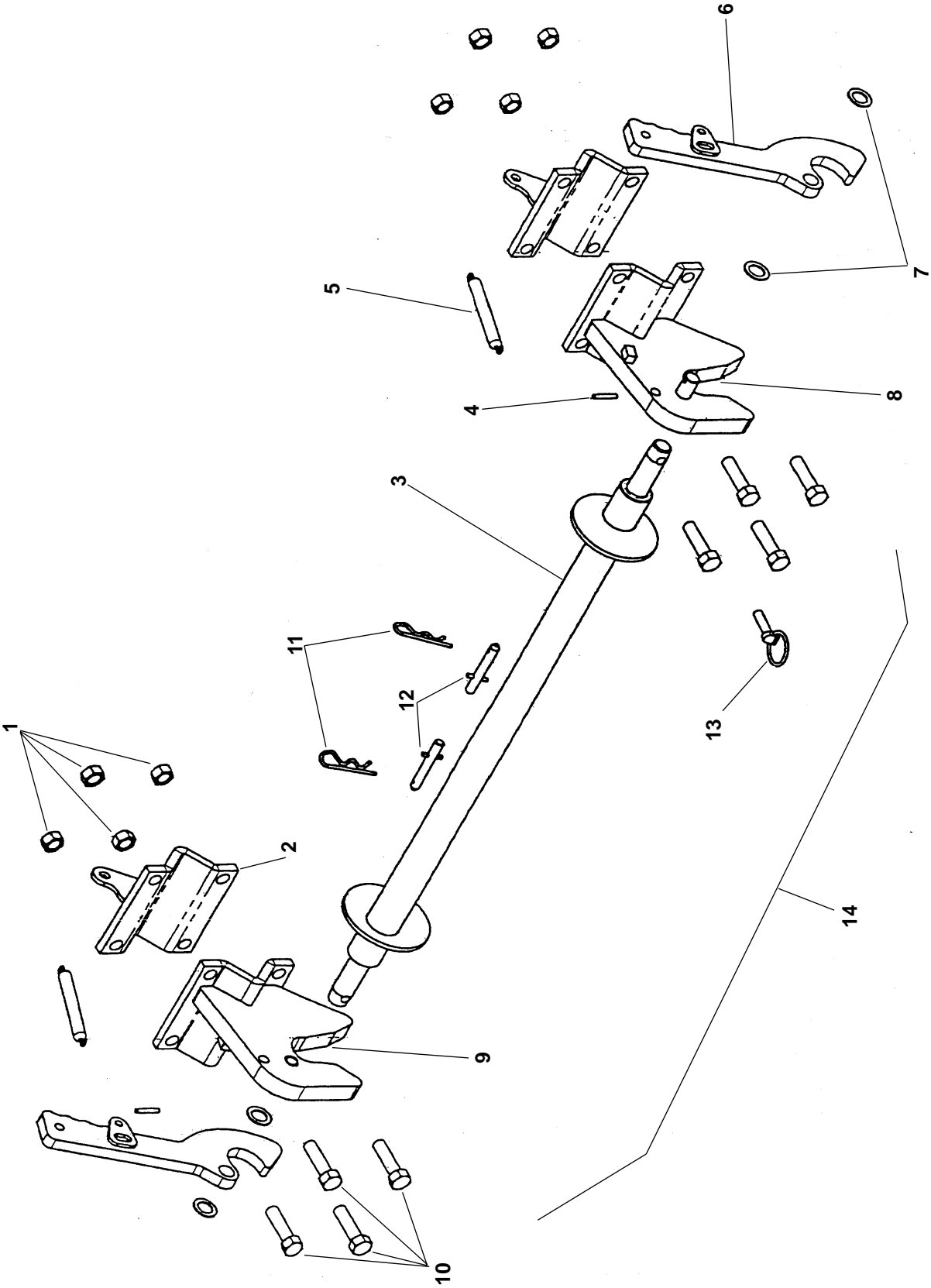


Fig.	Serial nº	Part nº	Pieces	Notes
1		307 216 050	8	Self locking nut M16
2		74 9668985 00 R	2	
3		74 9668983 00	1	
4		208 012 070	2	
5		74 000649437 R	2	
6		74 9668980 00	2	Bolt M16 x 60 mm.
7		74 000649463	4	
8		74 9668978 01 R	1	
9		74 9668978 02 R	1	
10		301 216 600	8	
11		74 000649654	2	Kit
12		71 000107227	2	
13		74 000060495	2	
14		74 966898600		